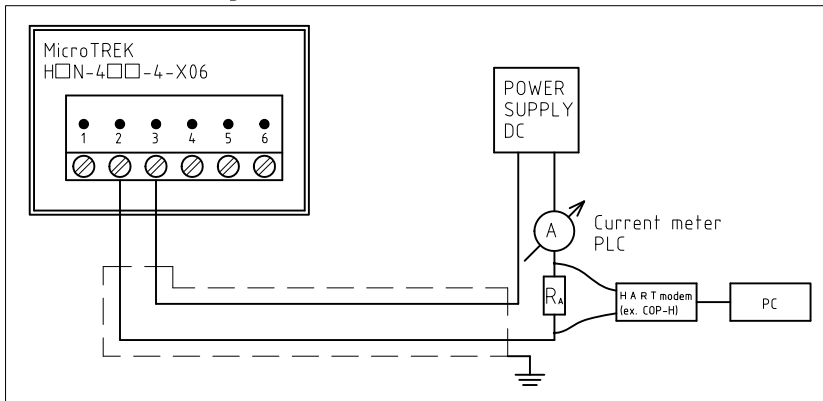


Your models are as follows.

Model			
L=	mm	Q'ty	

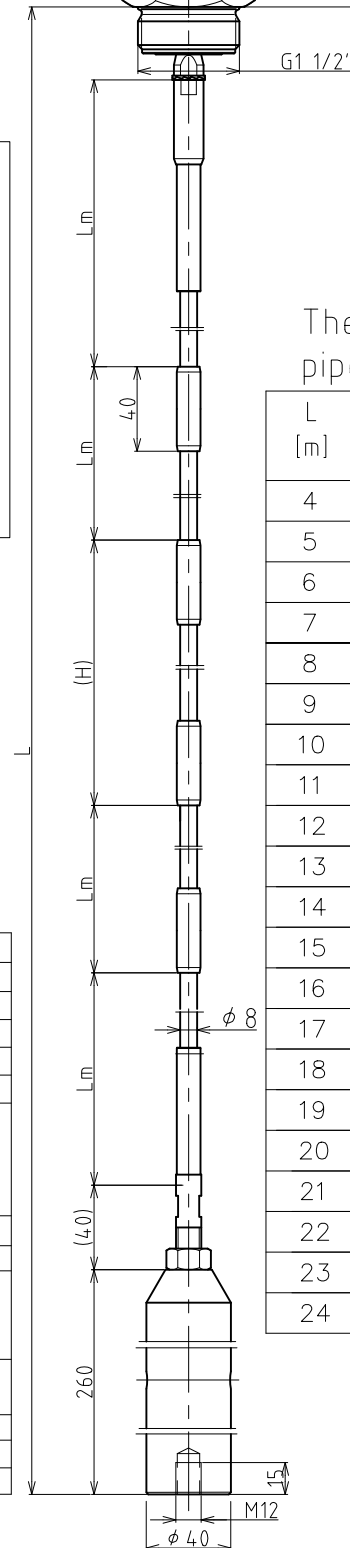
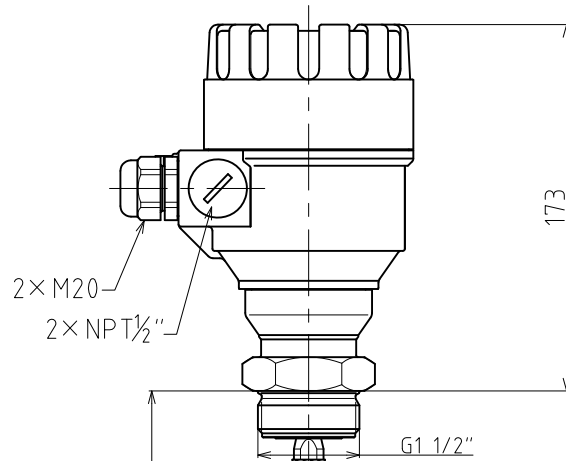
Connection diagram



- Connect the wires of the current loop to terminals 2 and 3 (any polarity).
- In case of using HART modem, The Ra is necessary.
- RA resistance for HART communication 250 Ohm, recommended
- The use of shielded cable is recommend.
- The shielding of the signal cable should be grounded at the control room.

TECHNICAL DATA

Housing material	Paint coated aluminm
Probe material	SUS316
Sealing	FKM(Viton)
Process connection	G1 1/2"
Medium temperature	-30°C ~ +200°C
Process temperature	-30°C ~ +90°C
Ambient temperature	in operate: -30°C ~ +60°C (with SAP-300 display : -20°C ~ +60°C) on start : -10°C ~ +60°C (with SAP-300 display : -5°C ~ +60°C)
Medium pressure	Min. : -0.1Pa (abs) 、 Max. : 1.6MPa
Powe supply	DC18~35V (voltage between terminal 2-3)
Output signal	Analog : 4~20mA(3.9~20.5mA) and alarm 22mA Digital : HART, max. resistance 750Ω (Max.) Display : SAP-300 LCD Dot-matrix display
Accuracy	Liquid : ±5mm (L≤10m) 、 ±0.05% (L>10m) Solid : ±20mm (L≤10m) 、 ±0.2% (L>10m)
Resolution	±3μA
Ingress protection	IP65
Electrical connection	2×M20、2×1/2" NPT、shielded cable : 0.5~2.5mm <sup>2</sup>



The number of pipe and spacing

L [m]	pipe [number]	Lm [mm]	H [mm]
4	2	1270	1270
5	2	1600	1610
6	4	1160	1170
7	4	1360	1370
8	4	1560	1570
9	6	1260	1250
10	6	1400	1410
11	6	1540	1570
12	8	1310	1330
13	8	1420	1450
14	8	1530	1570
15	10	1350	1310
16	10	1440	1410
17	10	1530	1510
18	12	1370	1370
19	12	1450	1410
20	12	1520	1570
21	14	1390	1350
22	14	1460	1370
23	14	1520	1530
24	16	1400	1410

1m ≤ L ≤ 24m

図曆 CHANGE NOTICE	承認 APPROVED	検閲 CHECKED	製図 DRAWN ohno	Guided Microwave Level Transmitters Manufacture : NIVELCO Process Control Co.	名称 TITLE Model : HON-4□□-4-X06
	第三角法 THIRD ANGLE PROJECTION	尺度 SCALE 1:2.5	日付 DATE May,20,2016	<b>東和制電工業株式会社</b> TOWA SEIDEN INDUSTRIAL CO., LTD.	図面番号 DRG. No. HNY-1589