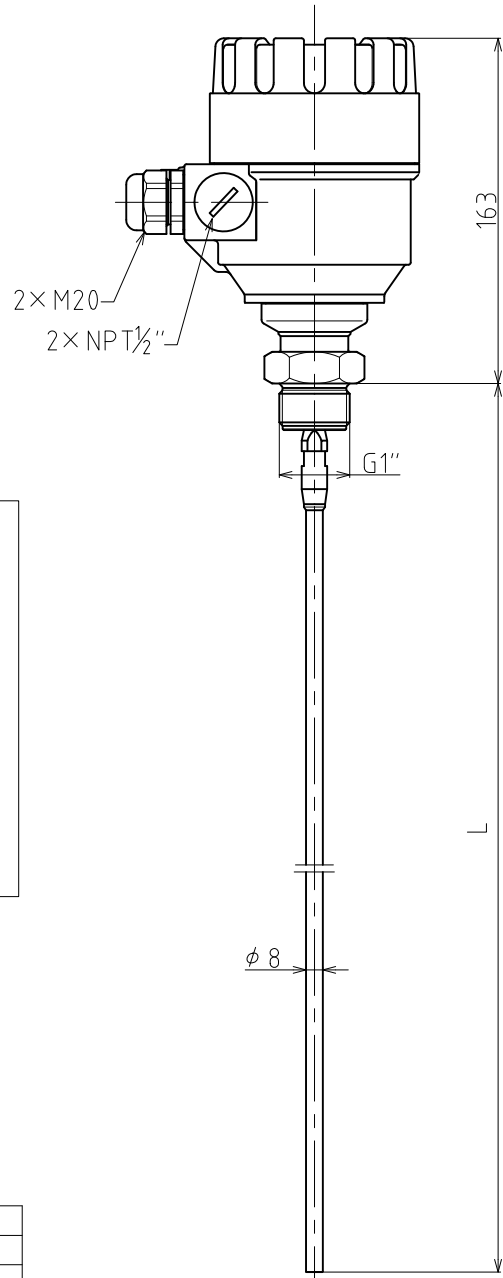
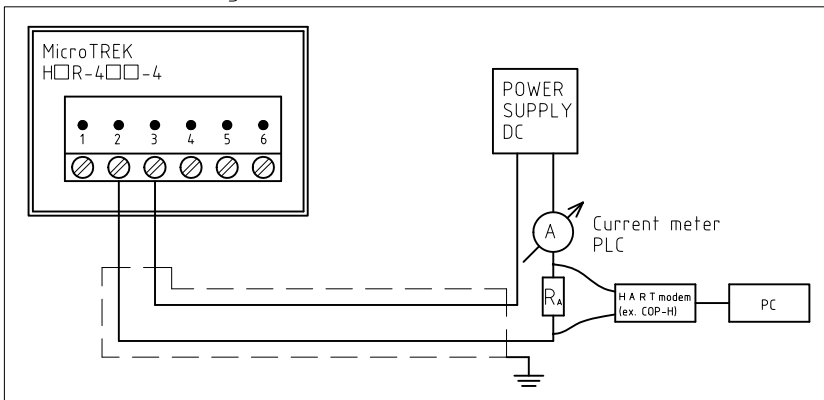


Your models are as follows.

Model			
L=	mm	Q'ty	



Connection diagram



- Connect the wires of the current loop to terminals 2 and 3 (any polarity).
- In case of using HART modem, The Ra is necessary.
- RA resistance for HART communication 250 Ohm, recommended
- The use of shielded cable is recommend.
- The shielding of the signal cable should be grounded at the control room.

TECHNICAL DATA

Housing material	Paint coated alminum
Probe material	SUS316Ti
Sealing	FKM(Viton)
Process connection	G1"
Medium temperature	-30°C~+200°C
Process temperature	-30°C~+90°C
Ambient temperature	in operate:-30°C~+60°C (with SAP-300 display : -20°C~+60°C) on start :-10°C~+60°C (with SAP-300 display : -5°C~+60°C)
Medium pressure	Min. : -0.1Pa (abs) 、 Max. : 1.6MPa
Powe supply	DC18~35V (voltage between terminal 2-3)
Output signal	Analog : 4~20mA(3.9~20.5mA) and alarm 22mA Digital : HART, max. resistance 750Ω (Max.) Display : SAP-300 LCD Dot-matrix display
Accuracy	Liquid : ±5mm
Resolution	±3μ A
Ingress protection	IP65
Electrical connection	2×M20、2×1/2" NPT、 shielded cable : 0.5~2.5mm ²

1m ≤ L ≤ 3m

図曆 CHANGE NOTICE	承認 APPROVED	検図 CHECKED	製図 DRAWN ohno	Guided Microwave Level Transmitters Manufacture : NIVELCO Process Control Co.	名称 TITLE Model : HQR-4□□-4
	第三角法 THIRD ANGLE PROJECTION	尺度 SCALE 1:2.5	日付 DATE May,20,2016	東和制電工業株式会社 TOWA SEIDEN INDUSTRIAL CO., LTD.	図面番号 DRG. No. HNY-1587