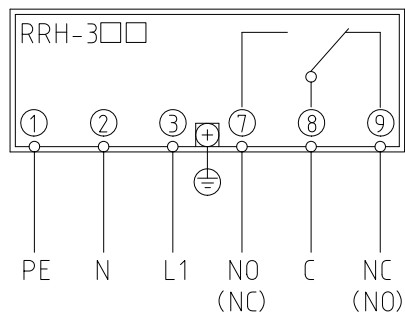


MODEL	ℓ	NOTE	Q'ty
RRH-303-0	300		
RRH-304-0	350		
	400		
RRH-305-0	450		
	500		
RRH-306-0	550		
	600		
RRH-307-0	650		
	700		
RRH-308-0	750		
	800		
RRH-309-0	850		
	900		
RRH-310-0	950		
	1000		



Supply voltage : AC20~255V
: DC20~60V

PE :Gland
N :Power(-)
L1 :Power(+)
C :Common
NC :Normally Close
NO :Normally Open

FLANGE SIZE		MATERIAL
JIS5K50A	JIS10K50A	SUS304
JIS5K65A	JIS10K65A	
JIS5K80A	JIS10K80A	SUS316
JIS5K100A	JIS10K100A	

○ (Required Specification)

○ (Required length)

a reduced drawing(A3 size)

Q'ty:

図曆 CHANGE NOTICE 承認 APPROVED 検図 CHECKED 製図 DRAWN ohno 日付 DATE Mar,4,2016 東和制電工業株式会社 TOWA SEIDEN INDUSTRIAL CO., LTD.	名称 TITLE RRH-3□□-0 VIBRATION TYPE LEVEL SWITCH 図面番号 DRG. No. HVR-2039
第三角法 THIRD ANGLE PROJECTION 尺度 SCALE 1:2	