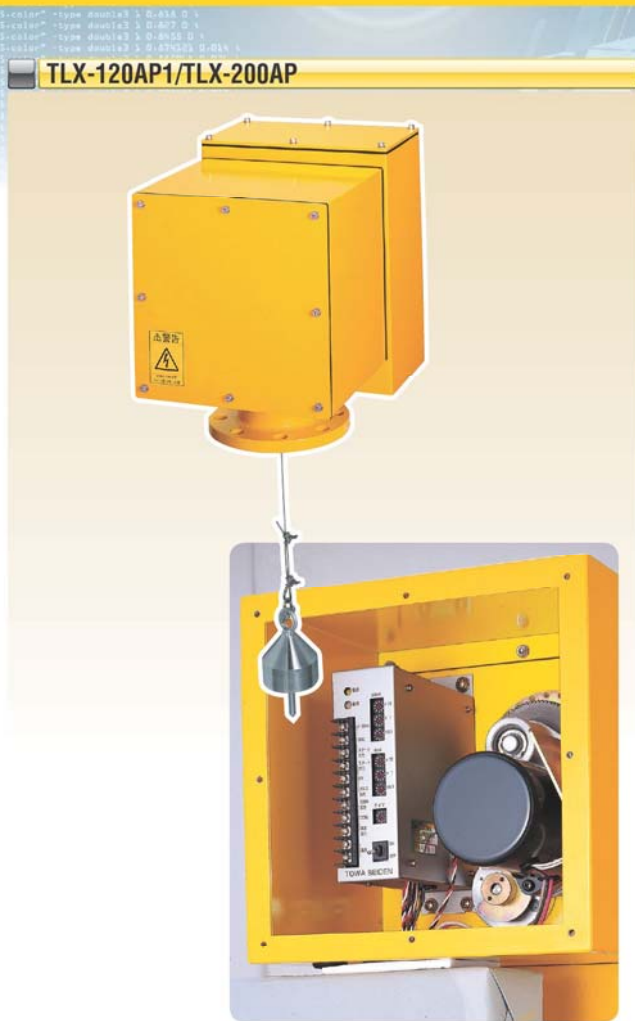


Sounding Level Meter



The sounding level meter accurately measures the level of powdered materials in silos or tanks. It is ideal for inventory control.

The sounding level meter lowers a weight attached to a cable and electrically measures the length of the cable when the weight reaches the substance being measured. It accurately measures the level of powdered material in a silo or tank. Thanks to its non-contact design, the meter can measure without any errors even in dusty environments, which typically cause problems when measuring powdered materials.

Specifications

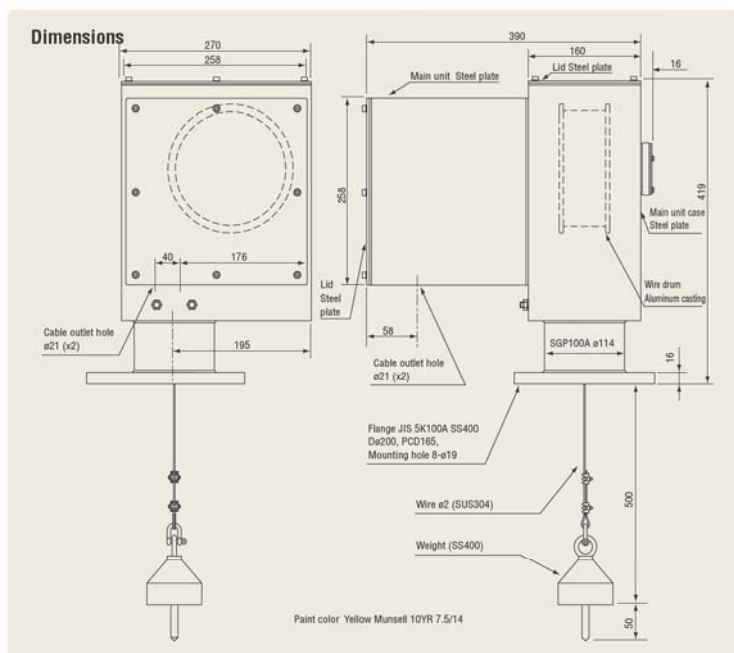
Model	TLX-120AP1	TLX-200AP
Measurement range	0 to 12 m	0 to 20 m
Measurement method	Pulse system	
Measurement scale	Cable ϕ 2 mm, SUS 304	
Motor	Single-phase 20 W reversible (50/60 Hz) Solenoid brake	
Current	4 to 20 mA DC, load resistance 350 Ω or less	
Pulse	NPN open collector output	
Output At start	Maximum 40 mA (30 V or less), residual voltage of 1 V or less	
During measurement	a contact, 250 VAC/5 A, 30 VDC/5 A (resistive load)	
Error	a contact, 250 VAC/5 A, 30 VDC/5 A (resistive load)	
Input	Non-voltage contact signal (start input)	
Measurement resolution	10 cm	
Precision	1% of FS	
Indicator lamp	Power supply (yellow), operation (two-color LED During measurement: Green, Error: Red)	
Weight movement speed	Approx. 13 m/min	
Timer function	3 min, 5 min, 10 min, 15 min, 20 min, 30 min, 60 min, 2 h, 3 h (TLX-200AP does not have a 3 min timer option.)	
Power supply voltage	100 VAC or 200 VAC, 50/60 Hz	
Power consumption	70 VA	
Flange size	5K100A (SS 400)	
Ambient operating temperature	-10°C to 50°C (Do not let freeze)	
Main materials used	Main unit, flange: SS 400, Cover: SS 400, Wire: SUS 304	
Paint color	Munsell 10YR7.5/14 (Yellow)	
Weight	31 kg	

Note: When ordering, specify power supply voltage as either 100 VAC or 200 VAC.

Example Uses

- Avoid installing near inlets.
- Do not operate (i.e. raise or lower the weight) when adding or removing substances to prevent weight getting buried or wire breakage.
- Restrict short tube nozzle length to within 150 mm.

TLX-120AP1/TLX-200AP



Example uses

