

FORK TYPE

For liquid, obtaining GL standard for ships



FEATURES

- Measurement is stable and unaffected by temperature, pressure, specific gravity of liquid, dielectric constant, or electric conductivity.
- AC/DC-free power supply.
- Material with excellent corrosion resistance and strength: SUS316Ti used.
- Fail-safe functions are standard.
- Ideal for controlling liquids with specific gravity of ≥ 0.7 . Switches have no moving parts, providing excellent pressure resistance and durability.
- Highly visible operation easy to confirm even from outside: LED display installed.
- GL standard for ships.
- CE-authorized product (CE marking).

APPLICATIONS

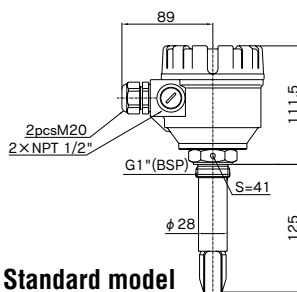
Ideal for detecting levels of almost all types of liquid, for detecting tank and hopper levels, for detecting clogging in pipe lines, and for oil tank and pump control.

PRINCIPLE

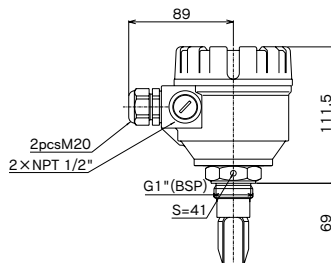
Fork level switch vibration enables piezoelectric elements to vibrate by an electronic circuit converting movement to mechanical vibration. An internal electronic circuit determines current state and outputs it to a relay when the measured object contacts the vibrating fork detector, regulating vibration.

Model	RFM-400 series	
Probe material	SUS316Ti (DIN1.4571)	
Installation method	G1"(screw-in flange optional)	
Installation part material	SUS316Ti (DIN1.4571)	
Housing material	Aluminum: powder-particle paint coating	
Temperature	Detector temperature range	-40°C – +130°C
	Peripheral temperature	-30°C – +70°C
Acceptable pressure	Maximum 2.5 MPa (130°C) 4MPa (100°C)	
Probe length	69 – 3000mm	
Minimum detection sensitivity	Specific gravity ≥ 0.7	
Maximum liquid viscosity	$\leq 10000 \text{mm}^2/\text{s}(\text{cSt})$	
Response time	When detecting	$\leq 0.5 \text{ sec}$
	When recovering	$\leq 1 \text{ sec}$
Operation display	2 colors LED (RED/GREEN)	
Operation mode adjustment	Dip switch selectable	
Output	SPDT relay	
Output rating	AC 250V 8A	
Power supply cable inlet port	2 for $\phi 9 - 14 \text{ mm cable} \times \text{M20}$ (0.75 – 2.5 mm^2 wire sectional area)	
Supply voltage	AC20 – 255V DC20 – 60V	
Power consumption	AC1.2 – 17VA DC<3W	
Electrical protection	Class I	
Protection configuration	IP67 (NEMA6)	

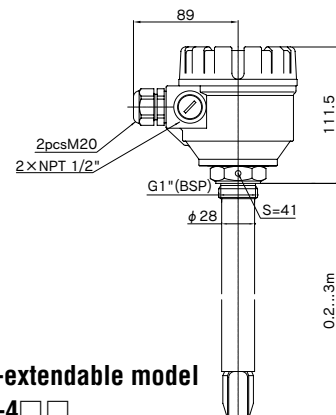
Dimensions



Standard model
RFM-401



Short model
RFM-400



Pipe-extendable model
RFM-4□□

※ This product is to be sold only in Chinese, Korean, and Taiwanese markets.